



RAJDHANI



**Office Address:** First Floor, C-1/101, Sector-11,  
Rohini, Delhi- 110085

**Workshop Address:** Plot No. 524/1, PVC Market  
Road, Tikri Kalan, Delhi- 110041

**Contact No.:** 9811028100, 9810029574

**Email:** info@towerwagon.com,  
powerdrivesolutions@gmail.com

**CNS Representative (India Contact)**

**Name:** Mr. Sarthak Pandey

**Mobile:** +86 19516224277; +91 8368749213

**Email:** sarthak-p@cnsmach.com

**Website:** www.cnsmach.com

# About Us

## CNS Machinery (Xuzhou) Co., Ltd.

Global Engineering. Local Trust. Total Lifting Solutions.

Founded in 2008, CNS Machinery (Xuzhou) Co., Ltd. is a core enterprise under CNS Group, based in Xuzhou, China—the world's leading base for construction machinery. With a manufacturing legacy spanning over 17 years, CNS specializes in the research, development, and production of truck-mounted cranes, marine cranes, aerial work platforms, forklift-mounted cranes, scrap handling systems, and hydraulic tail lifts. Through subsidiaries like Xuzhou Yanhuang Machinery Co., Ltd. and Xuzhou Huili Machinery Co., Ltd., CNS offers full-scale solutions backed by ISO9001:2015, CE, BV, CCS, ABS, DNV, and RMRS certifications.

Our Core Capabilities/products

Knuckle Boom Cranes (1–230 ton lifting capacity)

Telescopic Boom Cranes

Truck-Mounted Man Lifts & Aerial Work Platforms

Scrap Grabbing Cranes

Forestry Handling Attachments

Tail Lifts, Custom Grippers, and Hydraulic Tools

With a production facility expanded to 60,000 m<sup>2</sup> with a robust inspection system from raw materials to final assembly, CNS delivers the most durable and performance-driven solutions in the market.

Trusted by Global Leaders

CNS is a preferred OEM/ODM partner to several major machinery brands. Our long-term collaborations and technical integrations include partnerships with:

XCMG (World's Top 3 Construction Equipment Manufacturer)

FAW Jiefang (China's Leading Truck Manufacturer)

SAIC Group (One of China's largest automotive OEMs)

Dongfeng Motor Corporation

SINOTRUK

Shacman (Shaanxi Auto)

CAMC (Hualing Group)

Foton Motor Group

And many more...

These partnerships are a testament to CNS's engineering standards, supply chain integration, and product adaptability across platforms.

Website: [www.cnsmach.com](http://www.cnsmach.com)



## Rajdhani Infrastructure

India's Backbone for Elevated Access Solutions

With over 17 years of operational experience, Rajdhani Infrastructure is India's trusted expert in aerial equipment distribution, service, and lifecycle support. Headquartered in Delhi NCR, we provide complete technical and commercial solutions for industries ranging from infrastructure development and heavy engineering to utilities and ports.

As the exclusive distributor of CNS Machinery in India, we operate under the co-branded identity CNS

Rajdhani, offering:

Pan-India Sales Network

On-Site Commissioning & Training

Rapid Spare Parts Logistics

Preventive Maintenance & AMC Services

Fleet Support for Rentals and EPC Contractors

With a dedicated machine yard, factory-trained technicians, and multi-industry experience, Rajdhani ensures CNS equipment delivers peak performance throughout its operational lifecycle. We align international-grade machinery with India's dynamic industrial needs — delivering efficiency at height, anywhere.





## Truck Mounted Boom-lift specifications



Articulated Jib 1.5m



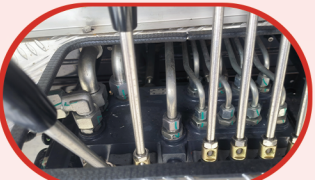
Operator Cabin



Ground Panel Operation



Hexagonal work arm, synchronous telescopic, compact structure, high work efficiency, and large work range.



Main supporting hydraulic and electrical components: load sensitive proportional valves, balance valves, controllers, etc. are all high-quality parts



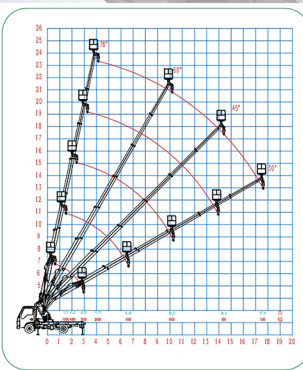
The entire vehicle's electrical system adopts a CAN bus control system, which is safe and reliable, and has high work efficiency

1. operator seat with digital Panel
2. 4000kw Inverter
3. Remote Control with Display
4. 1.5m Jib (Optional)
5. Digital ground panel (optional)
6. Anti-Slip Aluminum deck
7. High Tensile Steel Grade Plate (Q960 N/mm<sup>2</sup>)
8. Horizontal Outreach Cut Off
9. Double Wire Rope Mechanism
10. Operator Cabin A/C & Non-A/C (Optional)
11. Designed for 12Volt power supply to match Indian Standards
12. Basket 360 rotation and tilting
13. Counter balancing lock valve
14. H-Type double legs- separately adjustable outrigger jacks

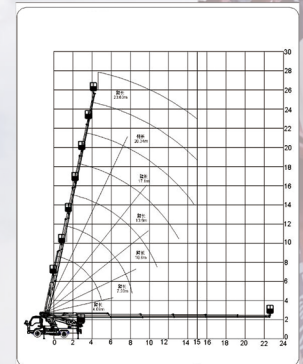




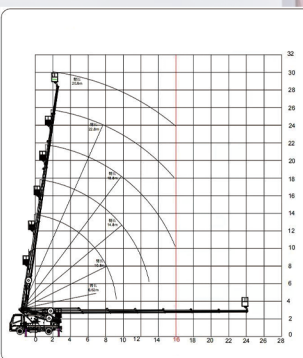
# Technical specifications.



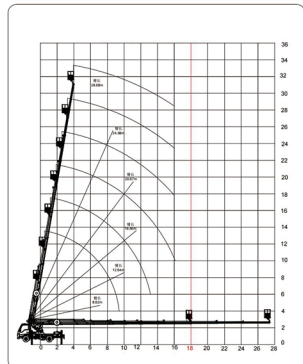
Model	CR25	Leg span (lateral)	4400mm	Platform size	1600x700x1100mm
Max working range	11m	Leg span (longitudinal)	4100mm	Slewing Angle	360
Max Lifting Height	25m	Wheel Base	2800	Control System	CAN bus control system
Machine Weight App rox.	2600	Basket Capacity	200kg	Max allowable wind speed	12.5m/s
Boom form	7 Section	Basket Material	Aluminum	Control voltage	12v Or 24v
Optional:	Fly jib 1.5m; Ground monitor; operator cabin(A/C)				



Model	CR28	Leg span (lateral)	5800mm	Platform size	1600x700x1100mm
Max working range	16m	Leg span (longitudinal)	6000mm	Slewing Angle	360
Max Lifting Height	28.3m	Wheel Base	2800	Control System	CAN bus control system
Machine Weight App rox.	2800	Basket Capacity	200kg	Max allowable wind speed	12.5m/s
Boom form	7 Section	Basket Material	Aluminum	Control voltage	12v Or 24v
Optional:	Fly jib 1.5m; Ground monitor; operator cabin(A/C)				

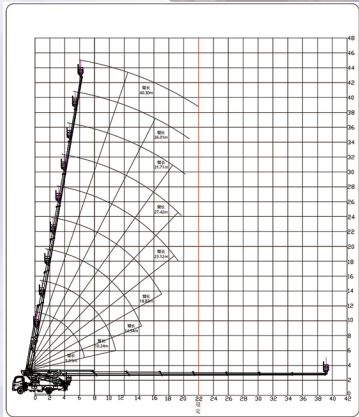


Model	CR30	Leg span (lateral)	6400mm	Platform size	1600x700x1100mm
Max working range	16m	Leg span (longitudinal)	6000mm	Slewing Angle	360
Max Lifting Height	30m	Wheel Base	2800	Control System	CAN bus control system
Machine Weight App rox.	3200kg	Basket Capacity	200kg	Max allowable wind speed	12.5m/s
Boom form	8 Section	Basket Material	Aluminum	Control voltage	12v Or 24v
Optional:	Fly jib 1.5m; Ground monitor; operator cabin(A/C)				

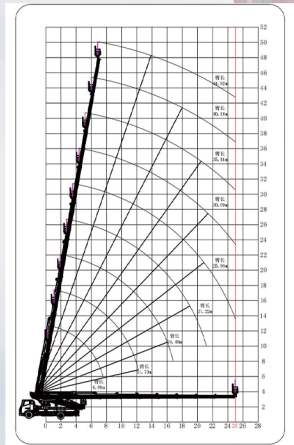


Model	CR35	Leg span (lateral)	6400mm	Platform size	1600x700x1100mm
Max working range	18m	Leg span (longitudinal)	6000mm	Slewing Angle	360
Max Lifting Height	33m	Wheel Base	3300mm	Control System	CAN bus control system
Machine Weight App rox.	4200kg	Basket Capacity	200kg	Max allowable wind speed	12.5m/s
Boom form	9 Section	Basket Material	Aluminum	Control voltage	12v Or 24v
Optional:	Fly jib 1.5m; Ground monitor; operator cabin(A/C) ; Wind sensor				

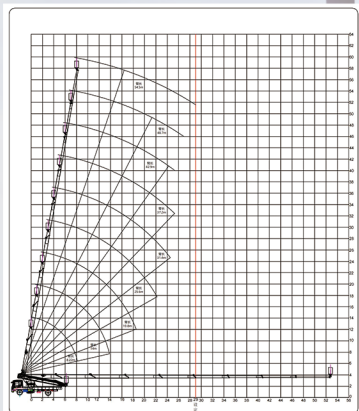




Model	CR45	Leg span (lateral)	7700mm	Platform size	3200x700x1100mm
Max working range	22m	Leg span (longitudinal)	7300mm	Slewing Angle	360
Max Lifting Height	45m	Wheel Base	3800-4200mm	Control System	CAN bus control system
Machine Weight App rox.	12000kg	Basket Capacity	300kg	Max allowable wind speed	12.5m/s
Boom form	9 Section	Basket Material	Aluminum	Control volteage	12v Or 24v
Optional:	Fly jib 1.5m; Ground monitor; operator cabin(A/C) ;				

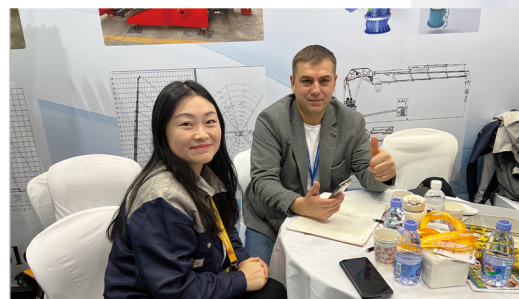


Model	CR50	Leg span (lateral)	7700mm	Platform size	3200x700x1100mm
Max working range	25m	Leg span (longitudinal)	7300mm	Slewing Angle	360
Max Lifting Height	50m	Wheel Base	4500-5000mm	Control System	CAN bus control system
Machine Weight App rox.	19300kg	Basket Capacity	300kg	Max allowable wind speed	12.5m/s
Boom form	9 Section	Basket Material	Aluminum	Control volteage	12v Or 24v
Optional:	Fly jib 1.5m; Ground monitor; operator cabin(A/C);				



Model	CR60	Leg span (lateral)	8700mm	Platform size	3200x700x1100mm
Max working range	29m	Leg span (longitudinal)	8600mm	Slewing Angle	360
Max Lifting Height	60m	Wheel Base	5700mm	Control System	CAN bus control system
Machine Weight App rox.	23500kg	Basket Capacity	300kg	Max allowable wind speed	12.5m/s
Boom form	9 Section	Basket Material	Aluminum	Control volteage	12v Or 24v
Optional:	Fly jib 1.5m; Ground monitor; operator cabin(A/C);				





🏠 Office Address: First Floor, C-1/101, Sector-11, Rohini, Delhi- 110085

🏠 Workshop Address: Plot No. 524/1, PVC Market Road, Tikri Kalan, Delhi- 110041

📞 Contact No.: 9811028100, 9810029574

✉ Email: info@towerwagon.com, powerdrivesolutions@gmail.com



🏠 CNS Representative (India Contact)

👤 Name: Mr. Sarthak Pandey

📞 Mobile: +86 19516224277; +91 8368749213

✉ Email: sarthak-p@cnsmach.com

🌐 Website: www.cnsmach.com